



| inserts: |                      | page    |
|----------|----------------------|---------|
| CD       | 128 poles + ⊕        | 47      |
| CDD      | 216 poles + ⊕        | 60      |
| CQE      | 92 poles + ⊕         | 79      |
| CN       | 48 poles + ⊕         | 85      |
| CCE      | 48 poles + ⊕         | 96      |
| CNE, CSE | 48 poles + ⊕         | 97      |
| CSS      | 48 poles + ⊕         | 103     |
| CMSE     | 20+4 (aux) poles + ⊕ | 122     |
| CMCE     | 20+4 (aux) poles + ⊕ | 122     |
| CME      | 20+4 (aux) poles + ⊕ | 123     |
| CME      | 32+4 (aux) poles + ⊕ | 125     |
| CMCE     | 32+4 (aux) poles + ⊕ | 125     |
| MIXO     | 6 + 6 modules        | 137+151 |

insert centre distance:  
2 x (104 x 27) mm

**bulkhead and surface mounting housings with single lever**



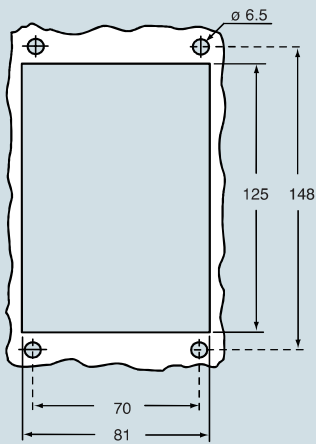
**hoods for single lever**



| description                                     | part No.    | entry Pg | part No.    | entry M  | part No.   | entry Pg | part No.   | entry M |
|---|-------------|----------|-------------|----------|------------|----------|------------|---------|
| bulkhead mounting housings with lever           | CHI 48 L    | ---      |             |          |            |          |            |         |
| bulkhead mounting housings with lever and cover | CHI 48 LS   | ---      |             |          |            |          |            |         |
| surface mounting housings with lever and cover  | CHP 48 LS29 | 29 x 1/2 | MHP 48 LS40 | 40 x 1/2 |            |          |            |         |
| surface mounting housings with lever and cover  | CHP 48 LS   | 36 x 1/2 | MHP 48 LS50 | 50 x 1/2 |            |          |            |         |
| with pegs, side entry                           |             |          |             |          | CHO 48 L29 | 29       | MHO 48 L32 | 32      |
| with pegs, side entry                           |             |          |             |          | CHO 48 L   | 36       | MHO 48 L40 | 40      |
| with pegs, side entry                           |             |          |             |          | CHO 48 L42 | 42       | MHO 48 L50 | 50      |
| with pegs, side entry, without adaptor *        |             |          |             |          | CFO 48 L29 | 29       | MFO 48 L32 | 32      |
| with pegs, side entry, without adaptor *        |             |          |             |          | CFO 48 L   | 36       | MFO 48 L40 | 40      |
| with pegs, side entry, without adaptor *        |             |          |             |          | CFO 48 L42 | 42       | MFO 48 L50 | 50      |
| with pegs, top entry                            |             |          |             |          | CHV 48 L29 | 29       | MHV 48 L32 | 32      |
| with pegs, top entry                            |             |          |             |          | CHV 48 L   | 36       | MHV 48 L40 | 40      |
| with pegs, top entry                            |             |          |             |          | CHV 48 L42 | 42       | MHV 48 L50 | 50      |
| with pegs, top entry, without adaptor *         |             |          |             |          | CFV 48 L29 | 29       | MFV 48 L32 | 32      |
| with pegs, top entry, without adaptor *         |             |          |             |          | CFV 48 L   | 36       | MFV 48 L40 | 40      |
| with pegs, top entry, without adaptor *         |             |          |             |          | CFV 48 L42 | 42       | MFV 48 L50 | 50      |

\* enclosure without adaptor, threaded on the body, to be used only with a complete cable clamp.

panel cut-out for bulkhead mounting housings in mm



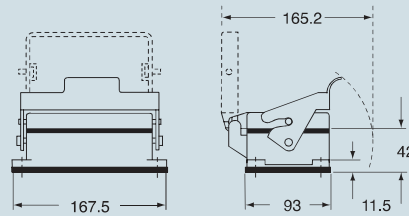
N.B.: the enclosures ensure IP66 protection (or IP65 cover versions) rating when mated and locked with the closing levers. The cover (CS, CP) only ensures mechanical protection, but does not ensure IP65 protection rating.



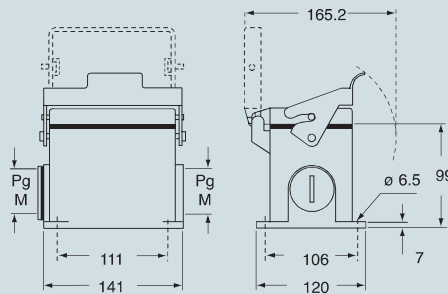
dimensions indicated are not binding and may be changed without notice

dimensions in mm

**CHI L - LS**

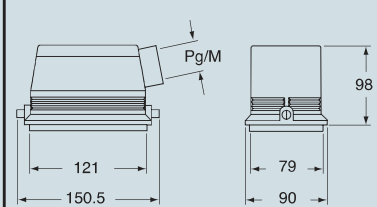


**CHP LS and MHP LS**



dimensions in mm

**CHO/CFO L and MHO/MFO L**



**CHV/CFV L and MHV/MFV L**

