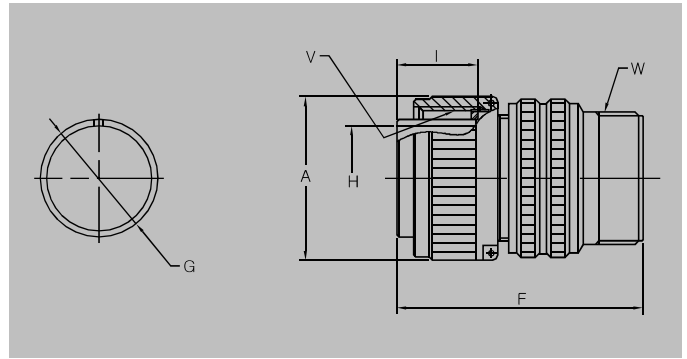


KD CONNECTORS [MIL-DTL-5015]

▶ KD3106A (MS3106A) – Straight Plug / 플러그형 (직선용)



inch
(mm)

Shell Size	ØA MAX	F MAX	ØG + .000 - .015 (+0.00) (-0.38)	ØH MIN	I ± .005 (±0.12)	V Tread-2B	W Tread-2A
10SL	.969 (24.61)	1.531 (38.89)	.446 (11.33)	.323 (8.20)	.531 (13.49)	5/8-24UNEF	5/8-24UNEF
12S	1.062 (26.97)	1.688 (42.88)	.555 (14.10)	.450 (11.43)	.531 (13.49)	3/4-20UNEF	5/8-24UNEF
12	1.062 (26.97)	2.062 (52.37)	.555 (14.10)	.450 (11.43)	.719 (18.26)	3/4-20UNEF	5/8-24UNEF
14S	1.156 (29.36)	1.688 (42.88)	.675 (17.15)	.526 (13.36)	.531 (13.49)	7/8-20UNEF	3/4-20UNEF
14	1.156 (29.36)	2.062 (52.37)	.675 (17.15)	.526 (13.36)	.719 (18.26)	7/8-20UNEF	3/4-20UNEF
16S	1.250 (31.75)	1.688 (42.88)	.805 (20.45)	.651 (16.54)	.531 (13.49)	1-20UNEF	7/8-20UNEF
16	1.250 (31.75)	2.062 (52.37)	.805 (20.45)	.651 (16.54)	.719 (18.26)	1-20UNEF	7/8-20UNEF
18	1.344 (34.14)	2.062 (52.37)	.930 (23.62)	.776 (19.71)	.719 (18.26)	1 1/8-18UNEF	1-20UNEF
20	1.469 (37.31)	2.188 (55.58)	1.050 (26.67)	.932 (23.67)	.719 (18.26)	1 1/4-18UNEF	1 3/16-18UNEF
22	1.594 (40.49)	2.188 (55.58)	1.175 (29.85)	1.026 (26.06)	.719 (18.26)	1 3/8-18UNEF	1 3/16-18UNEF
24	1.719 (43.66)	2.312 (58.72)	1.300 (33.02)	1.151 (29.24)	.719 (18.26)	1 1/2-18UNEF	1 7/16-18UNEF
28	1.969 (50.01)	2.312 (58.72)	1.520 (38.61)	1.370 (34.80)	.719 (18.26)	1 3/4-18UNS	1 7/16-18UNEF
32	2.219 (56.36)	2.438 (61.93)	1.770 (44.96)	1.620 (41.15)	.719 (18.26)	2-18UNS	1 3/4-18UNS
36	2.469 (62.71)	2.438 (61.93)	1.980 (50.29)	1.838 (46.69)	.719 (18.26)	2 1/4-16UN	2-18UNS